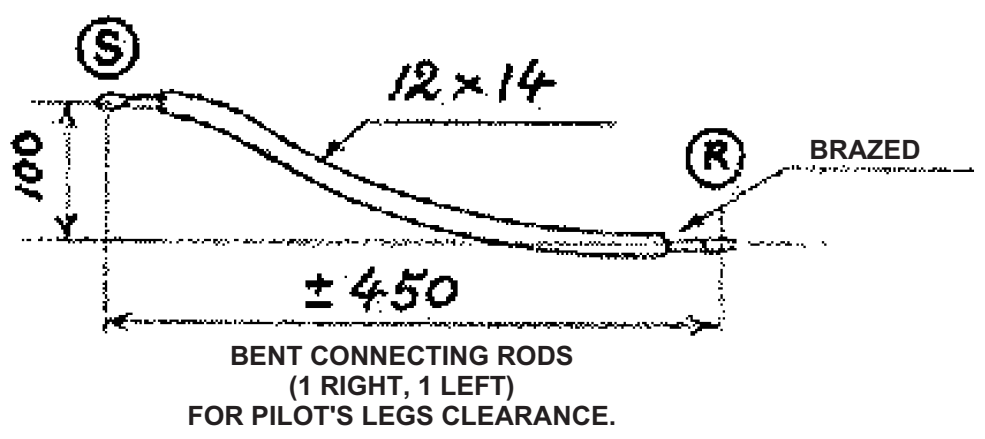
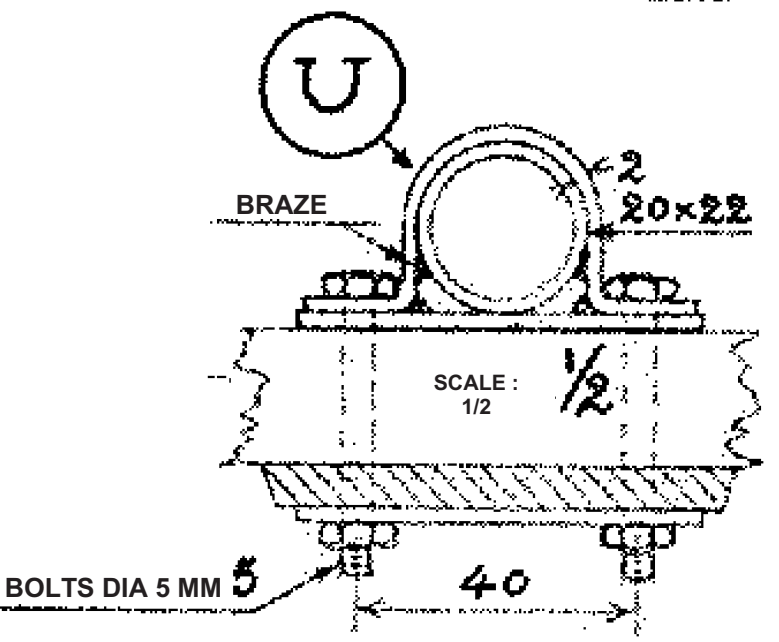


**FOR ADDITIONAL DETAILS  
 SEE PLAN # 12 AND # 13**



# HM381 CONTROL DETAILS ( PLAN NO.24)